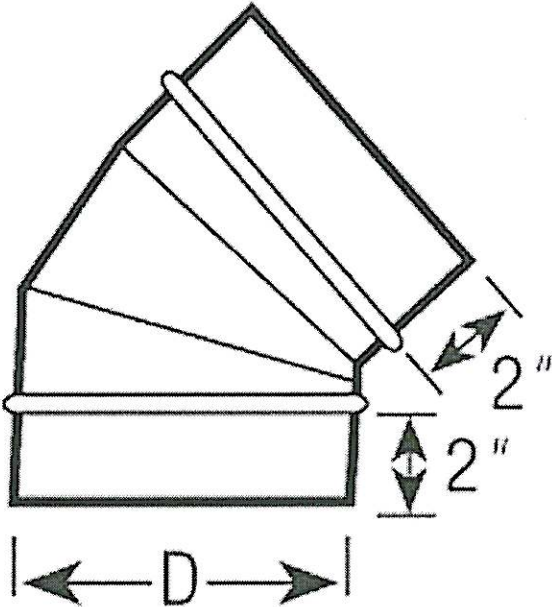


45° Adjustable Elbows & Angles



Adjustable elbows and angles are versatile and are most commonly used in a standard spiral duct system. Full sweep elbows and angles are available up to 16" diameter.

Project Name: _____
Engineering Firm: _____
Engineer: _____
HVAC Contractor: _____
Specification Number: _____
Approval Date: _____

| |
|-------------------------------|
| ENGINEERS ONLY I APPROVED |
|-------------------------------|