



## Elbows



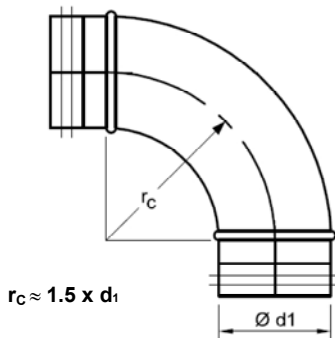
14

### Description

- 90° elbow
- die stamped
- continuous stitch welded
- rolled edges
- galvanized steel only
- available in diameters 3"- 12"

### Ordering Example

|                         |             |            |
|-------------------------|-------------|------------|
| Lindab Safe (gasketed): | <u>Type</u> | <u>Ød1</u> |
|                         | BSU 90      | aa         |
| Lindab (nongasketed):   | <u>Type</u> | <u>Ød1</u> |
|                         | BS 90       | aa         |



Note: 11" diameter is fabricated

## BSU 90/BSFU 90

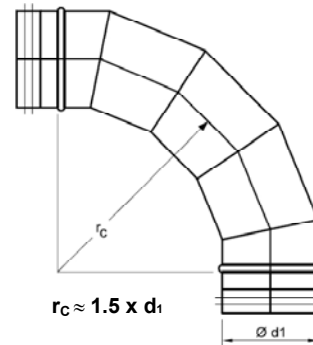


### Description

- 90° elbow
- 5-piece gored, standing seam
- gore locked and internally sealed
- available in diameters 14"- 48"

### Ordering Example

|                         |             |            |
|-------------------------|-------------|------------|
| Lindab Safe (gasketed): | <u>Type</u> | <u>Ød1</u> |
|                         | BSFU 90     | aa         |
| Lindab (nongasketed):   | <u>Type</u> | <u>Ød1</u> |
|                         | BSF 90      | aa         |



BSF/U 90 elbows 50-inch diameter and larger will be supplied as two BSF/U 45° elbows and an MF coupling.