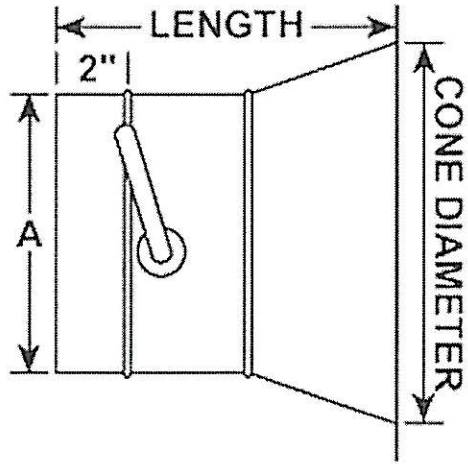


E-Z Tap Conical Takeoff Collar with Damper



Project Name: _____
Engineering Firm: _____
Engineer: _____
HVAC Contractor: _____
Specification Number: _____
Approval Date: _____

ENGINEERS ONLY | APPROVED