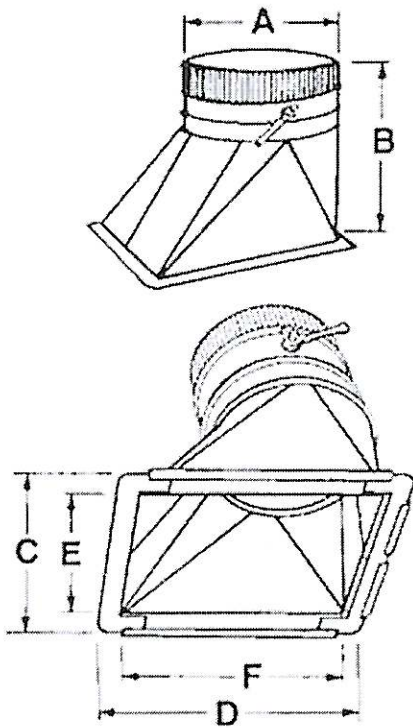


## High Efficiency Take Off



Our High-Efficiency Takeoff is designed with a rectangular opening and an approximate 45° slope on the body. A flange is turned out on all four sides with each corner being filled. The flange also has pre-punched holes for easy installation. There is a closed cell neoprene gasket (3/4" X 1/4") applied to the flange to assure a tight seal.

High-Efficiency Takeoffs are fabricated from both 26 and 24 gauge galvanized steel. The fittings come with and without volume dampers. The adjustable dampers are assembled using a spring loaded retractable bearing and positive locking hardware.

Test data is available; call factory for more information. (Performed by ETL Testing Laboratories.)

Cut Hole Size					
A	B	C	D	E	F
6"	10	8 1/4	11	6	9
7"	10	9 1/4	12	7	10
8"	10	10 1/4	13	8	11
9"	11 1/2	11 1/4	14	9	12
10"	11 1/2	12 1/4	14	10	12
12"	11 1/2	14 1/4	16	12	14
14"	12 1/2	16 1/4	18	14	16